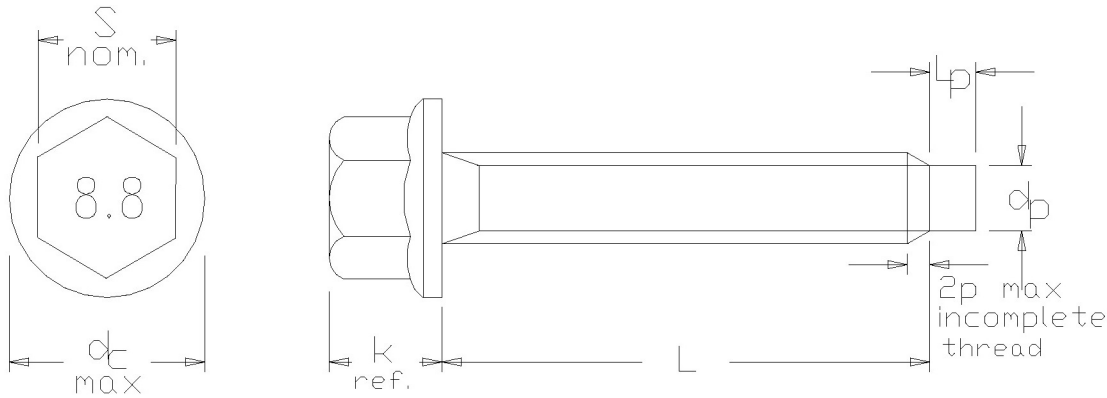


**BOLT – HEXAGON FLANGE HEAD FULLY THREADED - PILOTED**  
**PC 8.8 - THREAD CLASS 6g**



**Dimensions in mm**

Size	M6
Pitch	1
s nom	8
k ref	6.9
dc max	13.6
<b>L</b>	<b>Tolerance</b>
25	+/- 0.42

Thread: ISO 261 and 965

**NOTES:**

1. Pilot Lp & dp: WA900



LANSING, MICHIGAN 48911, USA  
<http://www.eisennet.com>

Information in this drawing  
 is provided for reference only

DWG NO. **805100-25**

**BOLT HEX8 FLG13 HEAD**  
**M6X1.0X25 6g**  
**STEEL GR8.8 DACRO**